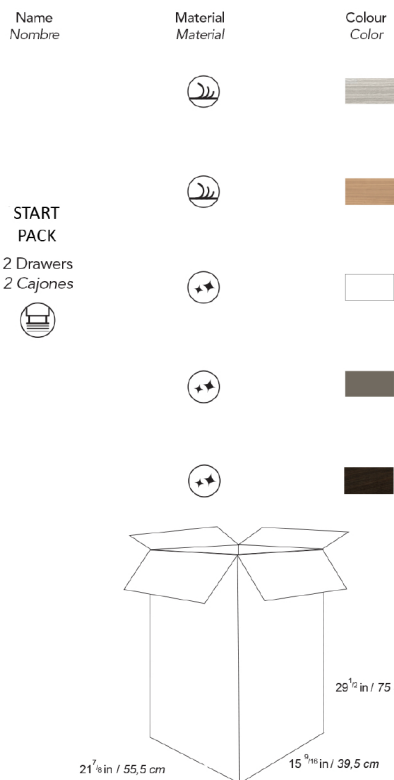
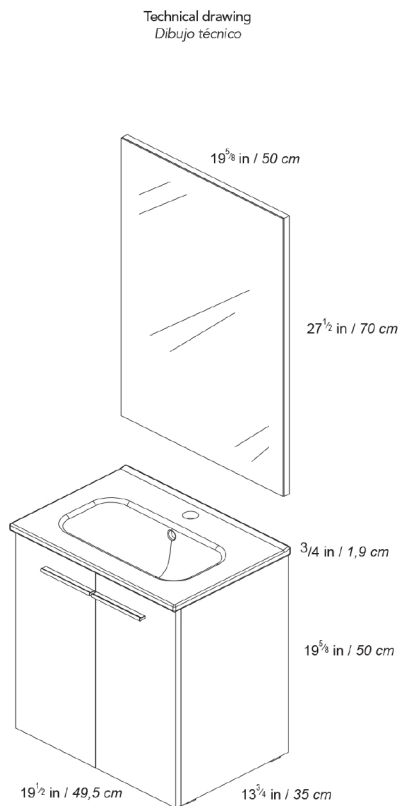


Technical features / Características técnicas



START pack (unit + washbasin + mirror) all in one pack.
El pack START (mueble + lavabo + espejo) está contenido en una única caja.

Technical information / Información técnica

STRUCTURE / ESTRUCTURA:	High gloss lacquered 5/8 in. board and texturized melamine 5/8 in. board. Tablero de 16 mm. lacado alto brillo y tablero de 16 mm. melamina.
FRONT / FRENTE:	High gloss lacquered 5/8 in. board and texturized melamine 5/8 in. board. Tablero de 16 mm. lacado alto brillo y tablero de 16 mm. melamina.
HANDLE / TIRADOR:	Metallic handle in bright chrome finish. Tirador metálico en acabado cromo brillo.
HINGE / BISAGRA:	105° opening, Ø1 3/8 in. cap, easy assembly and soft close system. 105° de apertura, cazoleta de Ø35 mm., montaje rápido y cierre amortiguado incorporado.
MIRROR / ESPEJO:	Mirror 1/8 in. Rear part with 5/8 in. board. Espejo de 3 mm. Parte posterior con tablero de 16 mm.
WALL HANGING BRACKET / COLGADOR:	Hidden hanging bracket for hidden installation with great resistance and depth and height regulations. Colgador oculto de montaje directo, con gran resistencia a cargas y regulación en profundidad y altura.
WASHBASIN / LAVABO:	Ceramic washbasin with 14 3/16 in. depth. Lavabo cerámico con profundidad 36 cm.

Collection
Start

Model |
Start 50

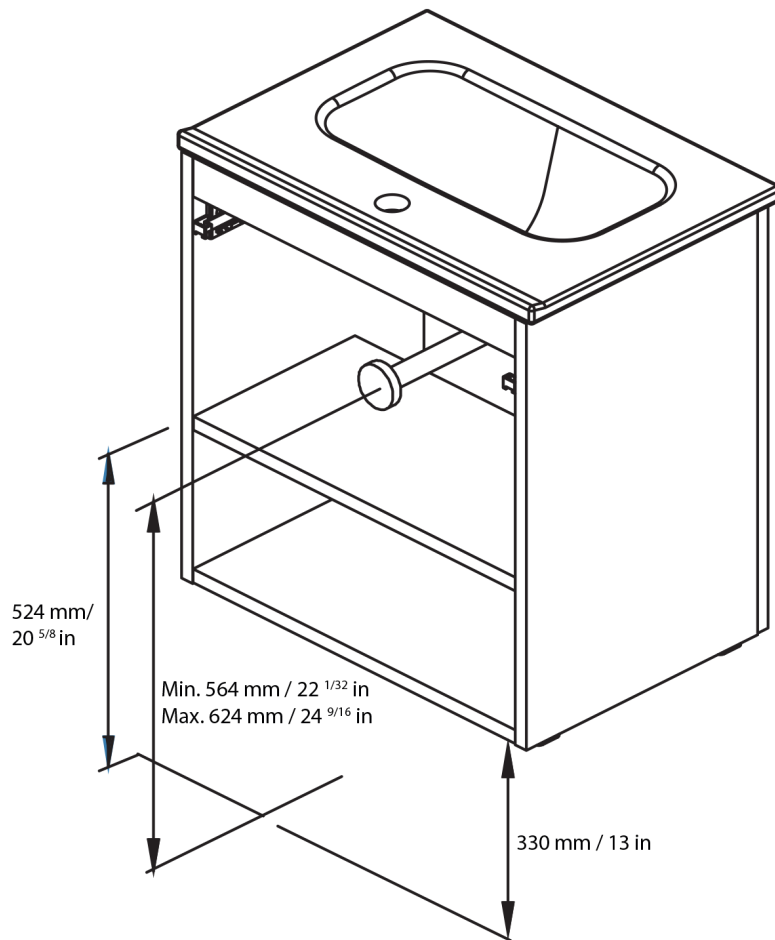
Dimensions Metric

1 inch = 2.54 cm
1 inch = 25.4 mm

WS[®]
BATH
COLLECTIONS

1051 Lea Drive - Collegeville, PA 19426
Tel. 215 513 9400 - Fax 610 831 0215

www.ws bathcollections.com - info@ws bathcollections.com



ES

EN

Las cotas indicadas en los dibujos son en función de la altura de la pata del conjunto, en caso de que el mueble vaya suspendido y esta altura no se respete, dichas cotas también variarán.

Dimensions indicated in the drawing are based on the level of the whole leg, in case of wall hanging the furniture dimensions also may vary.

Collection
Start

Model |
Start 50

Dimensions Metric

1 inch = 2.54 cm
1 inch = 25.4 mm

WS®

**BATH
COLLECTIONS**

1051 Lea Drive - Collegeville, PA 19426

Tel. 215 513 9400 - Fax 610 831 0215

www.ws bathcollections.com - info@ws bathcollections.com

We recommend the following items that work with your sink.

TRAPS



WSBC 53922
Our best seller

DRAINS



WSBC 53991
Push waste drain (click clack)
with overflow

MOUNTING HARDWARE

Wall-mount installation

Vessel/ countertop installation



Bolts



Silicone (*optional*)

Collection
Start

Model |
Start 50

Dimensions Metric

1 inch = 2.54 cm
1 inch = 25.4 mm

WS®
BATH
COLLECTIONS

1051 Lea Drive - Collegeville, PA 19426
Tel. 215 513 9400 - Fax 610 831 0215

www.ws bathcollections.com - info@ws bathcollections.com